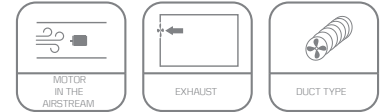


K-AXIS Axial In-line Duct Fan



K-AXIS fans can be used when low volume ventilation needs. It is easy-to-install, has low noise level and power usage.

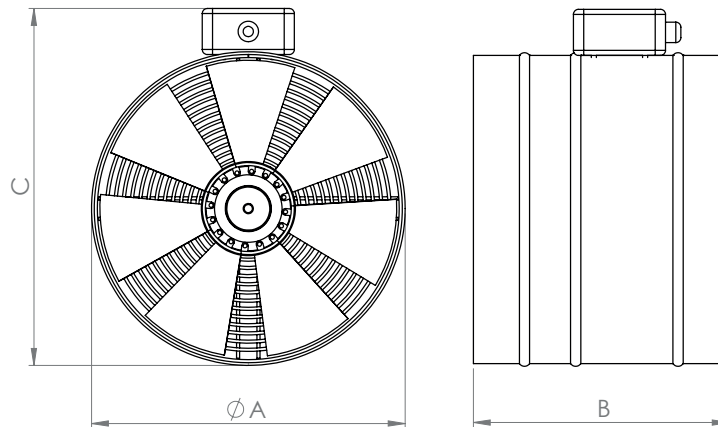


| | |
|-----------------------------|----------------------------|
| MOTOR INSULATION CLASS | F CLASS |
| MOTOR PROTECTION CLASS | IP 44 |
| MOTOR EFFICIENCY CLASS | IE2-IE3 |
| MOTOR ENCLOSURE TYPE | EXTERNAL ROTOR MOTOR |
| MOTOR BRAND | KAYI |
| BODY MATERIAL | GALVANIZED SHEET METAL |
| BODY COATING | ELECTROSTATIC POWDER PAINT |
| IMPELLER MATERIAL | GALVANIZED SHEET METAL |
| DUTY CYCLE | IEC Duty Cycle-S1 |
| WORKING AMBIENT TEMPERATURE | -20 - +50 °C |
| DIRECTIVE | IEC-60335-2-80, ISO 1940-1 |

| MODEL | VOLTAGE (V) | FREQUENCY (Hz) | POWER (kW) | REVOLUTION (rpm) | FLOW RATE (m³/h) | NOISE LEVEL (dB(A)) | PRICE |
|------------|-------------|----------------|------------|------------------|------------------|---------------------|-------|
| K-AXIS 200 | 230 | 50 | 70 | 2.650 | 680 | 50 | |
| K-AXIS 250 | 230 | 50 | 100 | 2.700 | 1.500 | 52 | |
| K-AXIS 300 | 230 | 50 | 163 | 2.550 | 2.025 | 54 | |
| K-AXIS 350 | 230 | 50 | 240 | 2.250 | 3.110 | 58 | |

Values are for 0 Pa.

DRAWING



| MODEL | A (mm) | B (mm) | C (mm) |
|------------|--------|--------|--------|
| K-AXIS 200 | 200 | 200 | 250 |
| K-AXIS 250 | 250 | 250 | 300 |
| K-AXIS 300 | 300 | 250 | 350 |
| K-AXIS 350 | 350 | 300 | 400 |