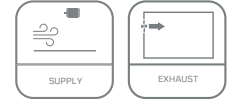


K-CES Double Inlet Centrifugal Fan



K-CES fans are used for suction and discharge in Cabinet, Ventilation units, Central Air-conditioner units, etc. Each fans are suit its mechanical design according to maximum operating limits.

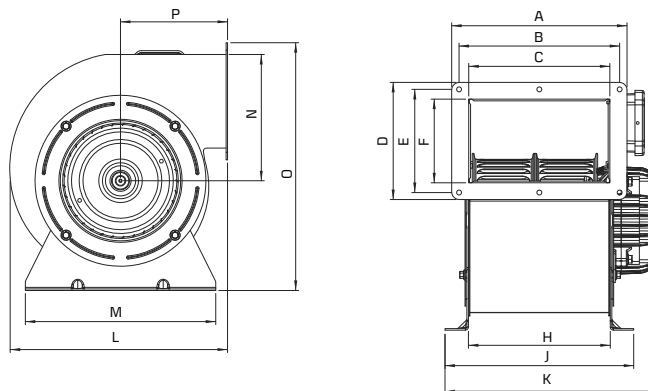


MOTOR INSULATION CLASS	B CLASS
MOTOR PROTECTION CLASS	IP 44
MOTOR EFFICIENCY CLASS	IE1-IE2
MOTOR ENCLOSURE TYPE	TEFC
MOTOR BRAND	KALVENT
BODY MATERIAL	SHEET METAL
BODY COATING	ELECTROSTATIC POWDER PAINT
IMPELLER MATERIAL	GALVANIZED SHEET METAL
DUTY CYCLE	IEC Duty Cycle-S1
WORKING AMBIENT TEMPERATURE	-20 +50 °C
DIRECTIVE	IEC-60335-2-80, ISO 1940-1

MODEL	VOLTAGE (V)	FREQUENCY (Hz)	POWER (W)	REVOLUTION (rpm)	FLOW RATE (m³/h)	NOISE LEVEL (dB(A))	PRICE
K-CES	230	50	217	1.420	1.300	46	

Values are for 0 Pa.

DRAWING



MODEL	A (mm)	B (mm)	C (mm)	D (mm)	E (mm)	F (mm)	G (mm)	H (mm)	J (mm)	K (mm)	L (mm)	M (mm)	N(mm)	O (mm)
K-CES	232	213	187	155	137	111	7	188	250	282	252	167	328	142

PERFORMANCE CURVES

K-CES

