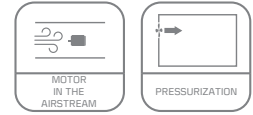


K-KAZ Single Inlet Centrifugal Fan With Aluminum Body



K-KAZ fans with their aluminum injected bodies, forward-curved impeller and small size can be used in boilers. Using with BAXI fans it allows BAXI to be used in high-temperature for continuous use.

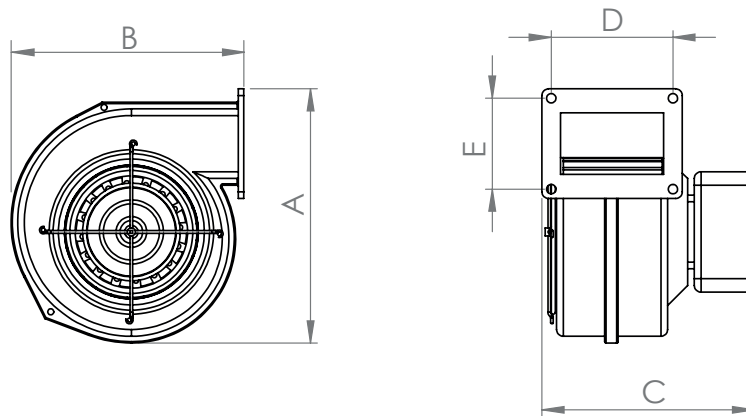


MOTOR INSULATION CLASS	F CLASS
MOTOR PROTECTION CLASS	IP 44
MOTOR EFFICIENCY CLASS	IE2-IE3
MOTOR ENCLOSURE TYPE	EXTERNAL ROTOR MOTOR
MOTOR BRAND	KAYI
BODY MATERIAL	ALUMINIUM
BODY COATING	OPTIONAL
IMPELLER MATERIAL	GALVANIZED SHEET METAL
DUTY CYCLE	IEC Duty Cycle-S1
WORKING AMBIENT TEMPERATURE	-20 - +50 °C
DIRECTIVE	IEC-60335-2-80, ISO 1940-1

MODEL	VOLTAGE (V)	FREQUENCY (Hz)	POWER (W)	REVOLUTION (rpm)	FLOW RATE (m³/h)	NOISE LEVEL (dB(A))	PRICE
K-KAZ 120	230	50	84	2.450	275	55	
K-KAZ 140	230	50	137	2.265	485	58	
K-KAZ 160	230	50	193	2.100	600	61	

Values are for 0 Pa.

DRAWING



MODEL	A (mm)	B (mm)	C (mm)	D (mm)	E (mm)
K-KAZ 120	190	175	160	90	70
K-KAZ 140	260	225	145	115	105
K-KAZ 160	260	225	145	115	105