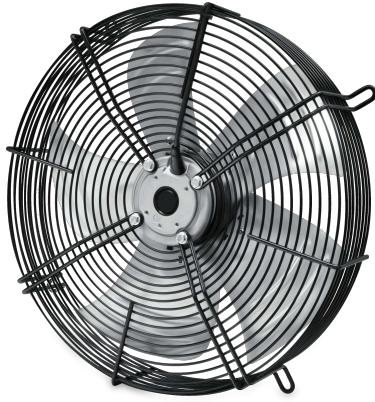
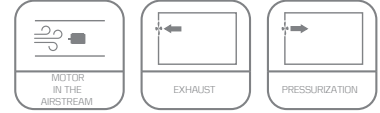


K-SOF Evaporator And Cooler Fan



K-SOF fans can be used to push or pull air for commercial and industrial refrigerators, cold kitchen storage and cold storage. They can be ordered to be blowing suction type.

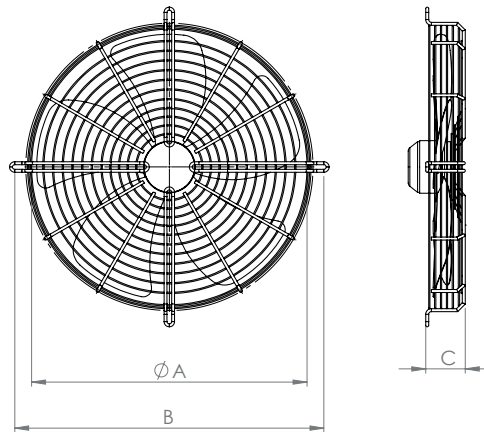


MOTOR INSULATION CLASS	F CLASS
MOTOR PROTECTION CLASS	IP 44
MOTOR EFFICIENCY CLASS	IE2-IE3
MOTOR ENCLOSURE TYPE	EXTERNAL ROTOR MOTOR
MOTOR BRAND	KAYI
BODY MATERIAL	STEEL GRILLE
BODY COATING	ELECTROSTATIC POWDER PAINT
IMPELLER MATERIAL	ALUMINIUM/GALVANIZED METAL
DUTY CYCLE	IEC Duty Cycle-S1
WORKING AMBIENT TEMPERATURE	-20 - +50 °C
DIRECTIVE	IEC-60335-2-80, ISO 1940-1

MODEL	VOLTAGE (V)	FREQUENCY (Hz)	POWER (kW)	REVOLUTION (rpm)	FLOW RATE (m³/h)	NOISE LEVEL (dB(A))	PRICE
K-SOF 250	220	50	50	1.380	1.000	89	
K-SOF 300	220	50	90	1.370	1.700	91	
K-SOF 350	220	50	138	1.370	2.980	95	
K-SOF 400	220	50	180	1.350	3.900	96	
K-SOF 450	220	50	250	1.380	5.100	99	

Values are for 0 Pa.

DRAWING



MODEL	A (mm)	B (mm)	C (mm)
K-SOF 250	250	330	80
K-SOF 300	300	380	80
K-SOF 350	350	430	80
K-SOF 400	400	480	100
K-SOF 450	450	530	100