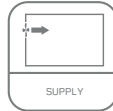
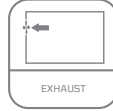
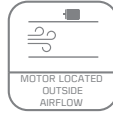
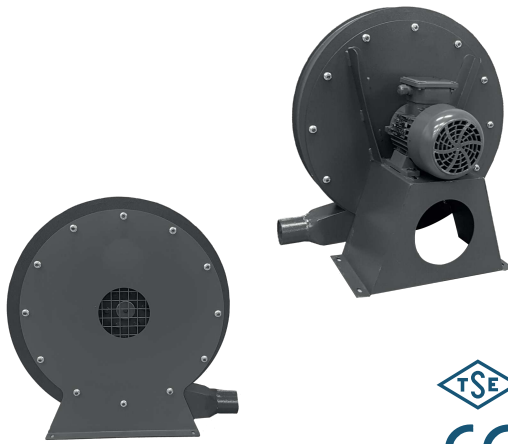


K-USK High Pressure Centrifugal Fan

Pressure: 2500 - 11000 pa. Airflow: 350 - 1700 m³/h. Backward curved impeller. Direct coupling or belt driven. Transportation of materials by blowing. Bag making machines and printing press. Lighting up burner. Cooling air curtain and glass moulds. Industrial ovens.

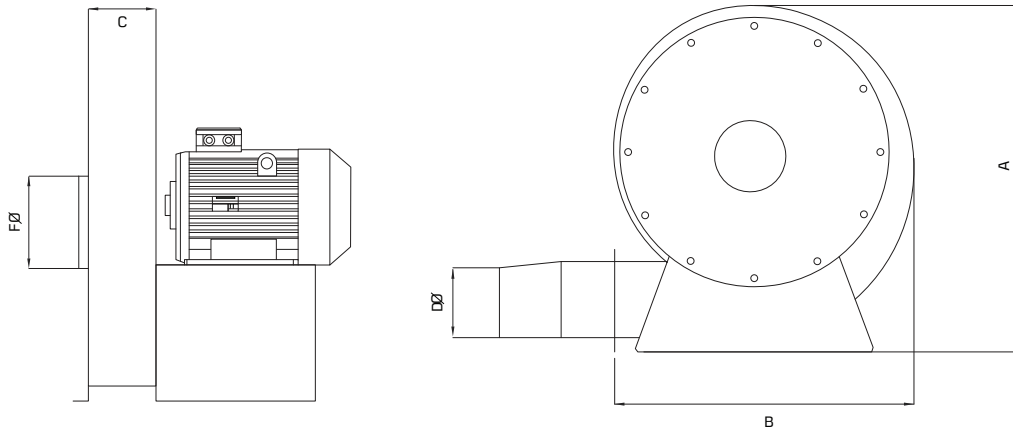


MOTOR INSULATION CLASS	F CLASS
MOTOR PROTECTION CLASS	IP 55
MOTOR EFFICIENCY CLASS	IE2-IE3
MOTOR ENCLOSURE TYPE	TEFC
MOTOR BRAND	GAMAK-VOLT-WATT
BODY MATERIAL	DKP SHEET METAL
BODY COATING	ELECTROSTATIC POWDER PAINT
IMPELLER MATERIAL	DKP SHEET METAL
DUTY CYCLE	IEC Duty Cycle-S1
WORKING AMBIENT TEMPERATURE	-20 - +50 °C
DIRECTIVE	IEC-60335-2-80, ISO 1940-1

MODEL	VOLTAGE (V)	FREQUENCY (Hz)	POWER (kW)	REVOLUTION (rpm)	FLOW RATE (m ³ /h)	PRICE
K-USK-1	230 or 380	50	0,37	2.800	350	
K-USK-2	230 or 380	50	0,75	2.800	400	
K-USK-3	230 or 380	50	1,1	2.800	450	
K-USK-4	230 or 380	50	1,5	2.800	500	
K-USK-5	230 or 380	50	2,2	2.800	600	
K-USK-6	230 or 380	50	3	2.800	1000	
K-USK-7	380	50	4	2.800	1200	
K-USK-8	380	50	5,5	2.800	1.300	
K-USK-9	380	50	7,5	2.800	1.500	
K-USK-10	380	50	11	2.800	1.700	

Values are for 0 Pa.

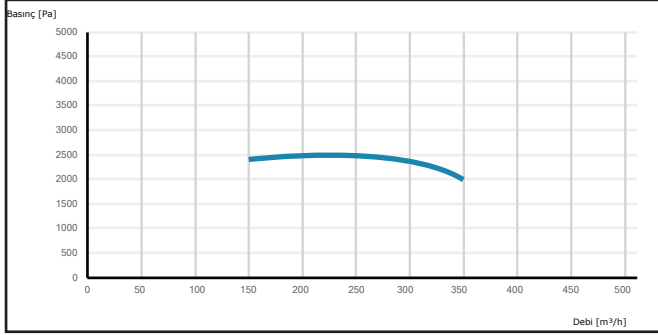
DRAWING



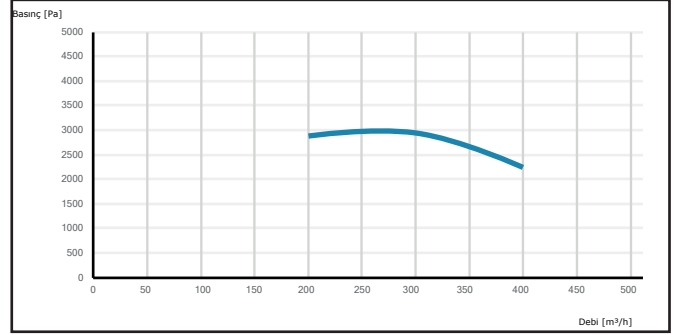
MODEL	A (mm)	B (mm)	C (mm)	D (mm)	FØ (mm)
K-USK-1	470	510	70	70	130
K-USK-2	590	630	70	70	130
K-USK-3	600	620	70	70	130
K-USK-4	630	710	70	70	130
K-USK-5	680	720	80	80	130
K-USK-6	720	710	80	80	150
K-USK-7	750	820	80	80	150
K-USK-8	810	780	100	100	150
K-USK-9	870	870	100	100	150
K-USK-10	1000	1000	110	110	160

PERFORMANCE CURVES

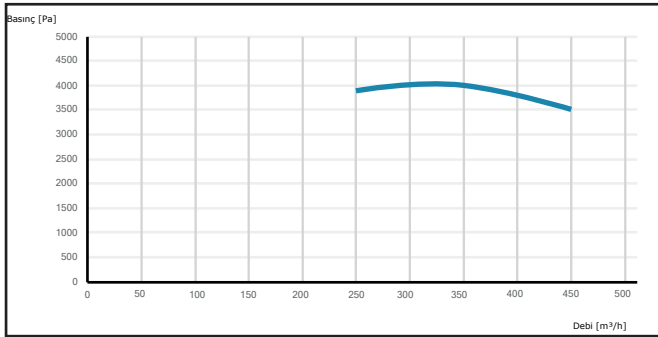
K-USK-1



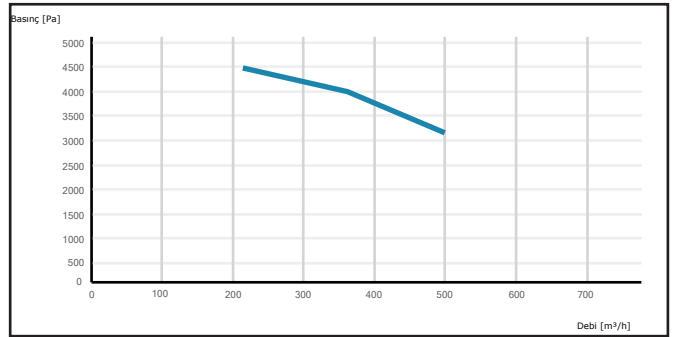
K-USK-2



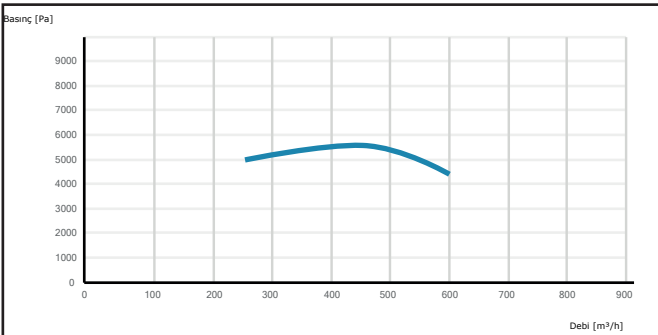
K-USK-3



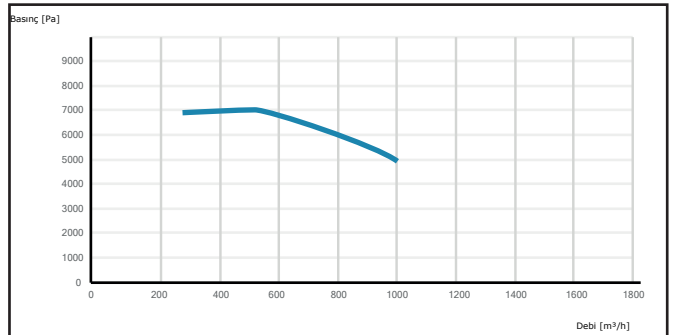
K-USK-4



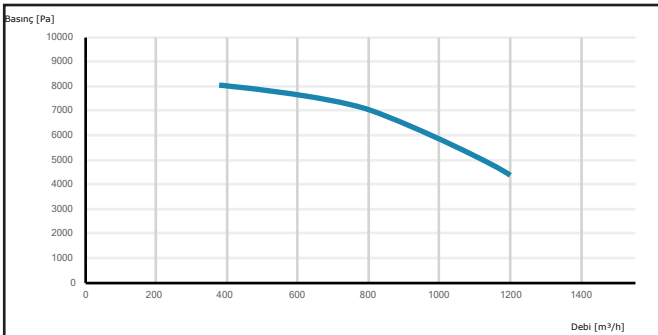
K-USK-5



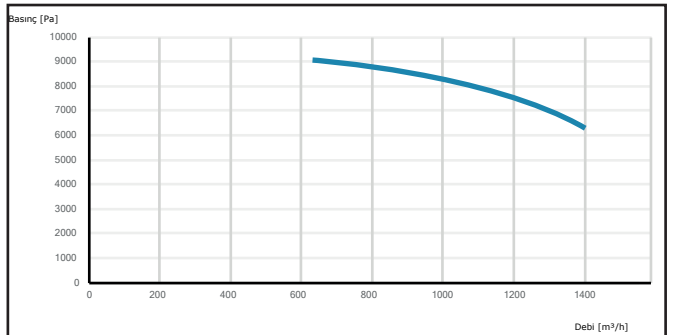
K-USK-6



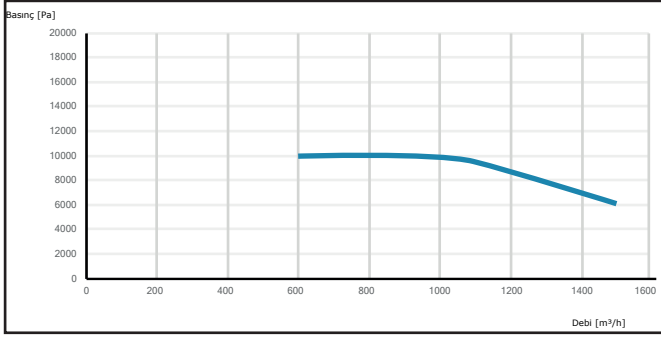
K-USK-7



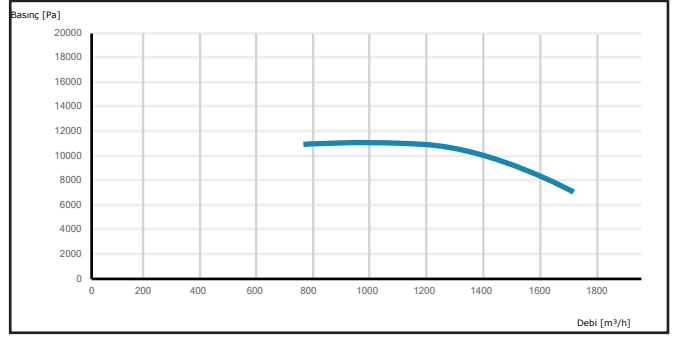
K-USK-8



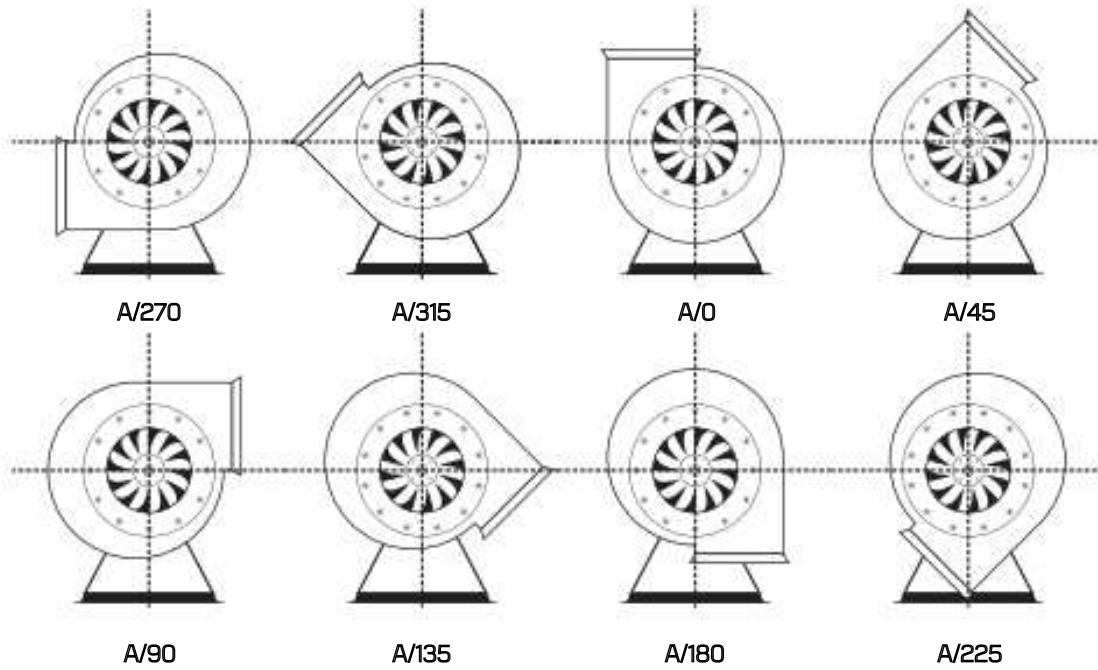
K-USK-9



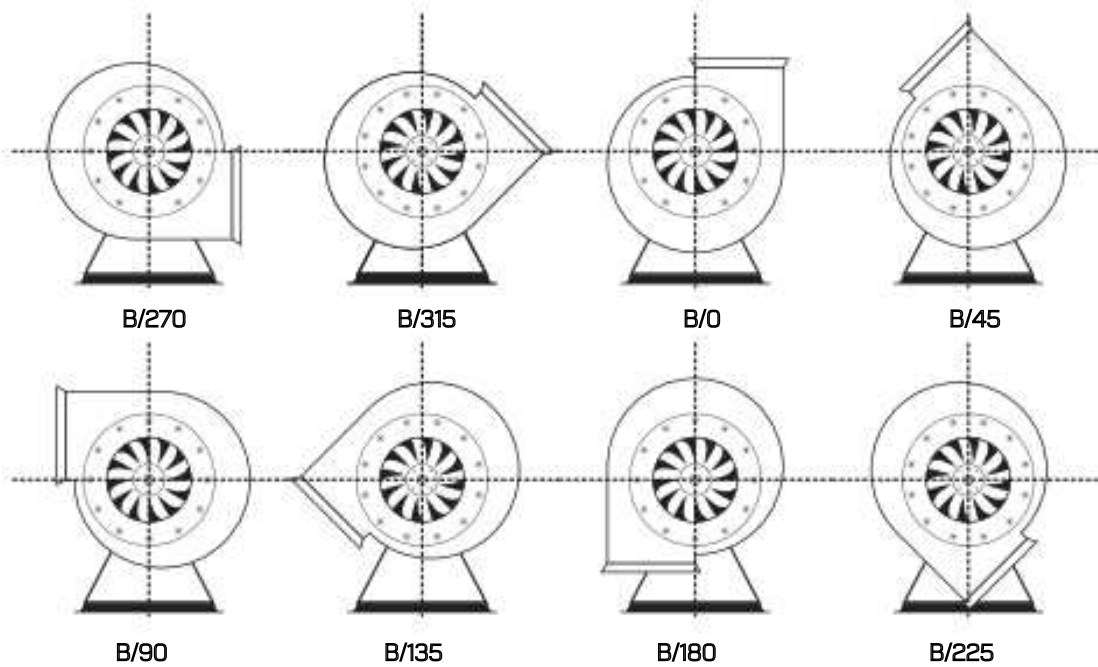
K-USK-10



LEFT OUT (A)



RIGHT OUT (B)



FROM THE VIEW OF INLET